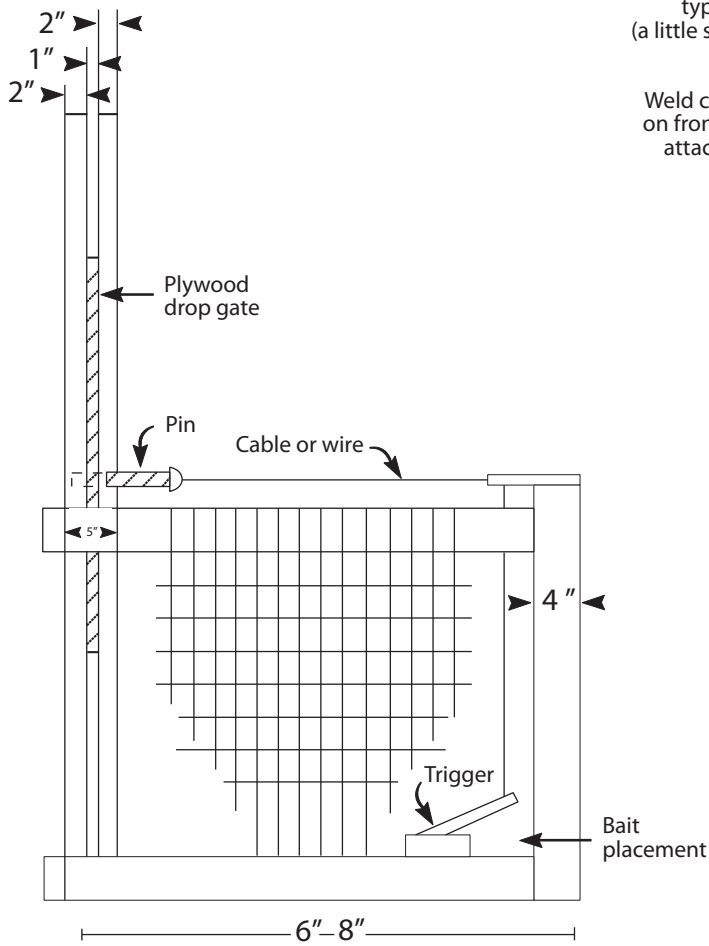
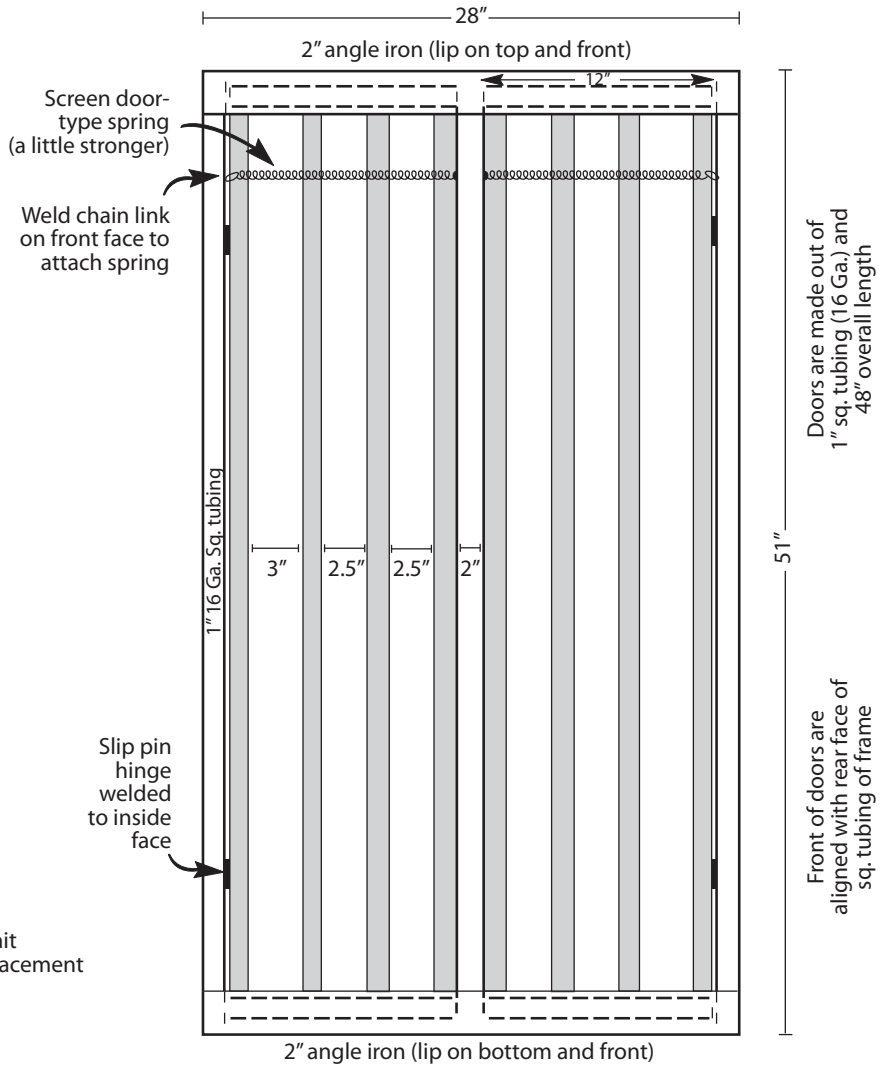


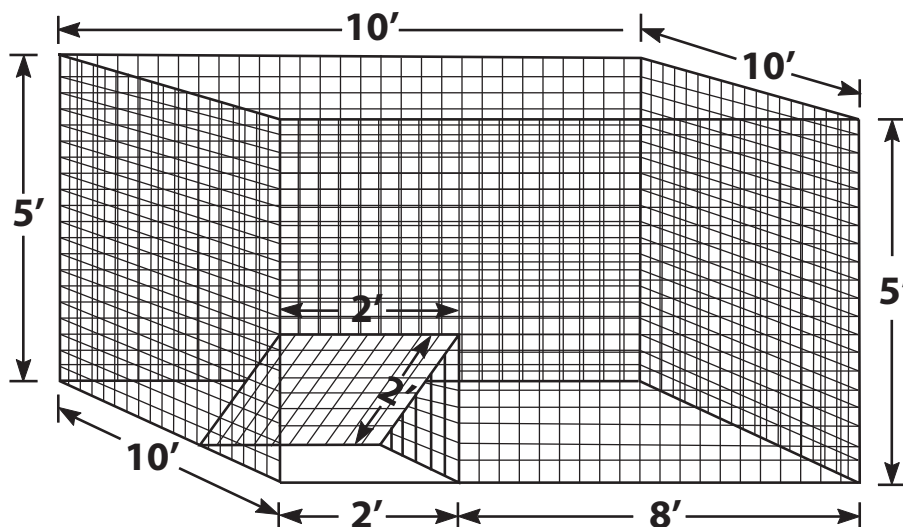
Figure 4. Trap Door Configurations



Side view of a portable feral hog trap with a drop door.



Specifications needed for the construction of a double spring door



The lift door design is the poorest of door designs because once inside, feral hogs can learn to lift the door and escape.